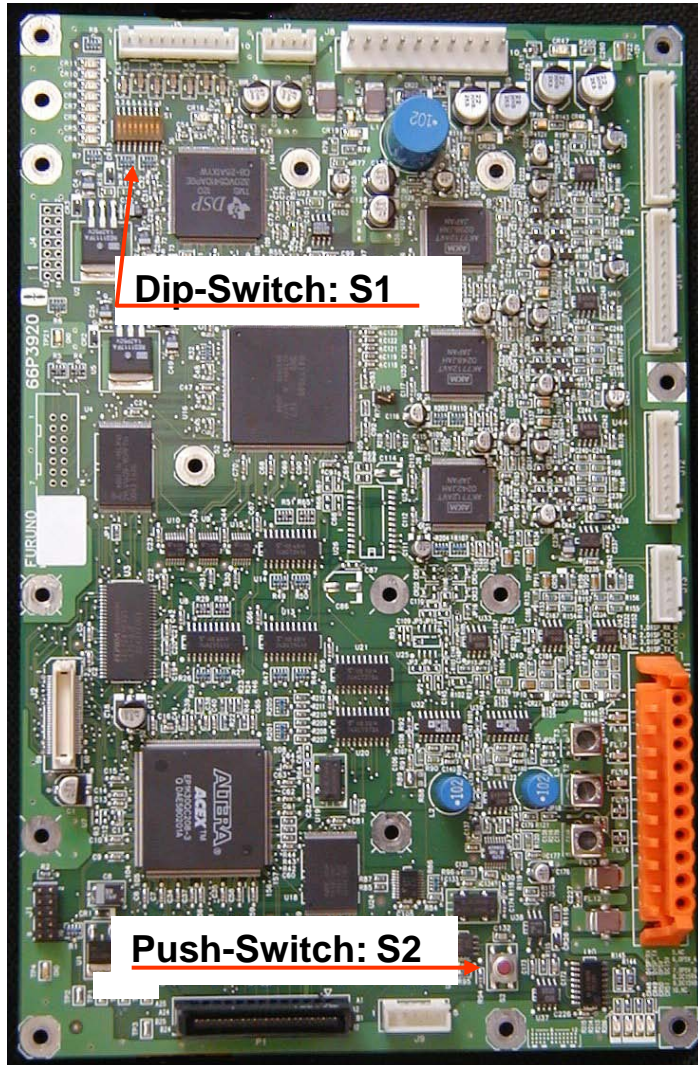


Dip-switch S1 setting of the PCP board



No.	Function	Factory set	OFF	ON
1		OFF	Factory use only	
2		OFF		
3	CIF data through function	OFF	Deactivate	Activate
4	TVG curve setting	OFF	Factory use only	
5		OFF		
6		OFF		
7		OFF	Factory use only	
8		OFF	Factory use only	

ON

S2: Reset switch of the CPU.

No.	Function	Factory set	OFF	ON
1		OFF		Factory use only
2		OFF		
3	CIF data through function	OFF	Deactivate	Activate
4	TVG curve	OFF	#4, #5, #6 ON, OFF, OFF: for water temperature "5" degrees" OFF, OFF, OFF: for water temperature "15" degrees" ON, ON, OFF: for water temperature "25 degrees"	
5		OFF		
6		OFF		
7	Selects judgment standard.	OFF	#7, #8 OFF, OFF: standard setting. ON, OFF: Lowers judgment standard A of echo OFF, ON: Lowers judgment standard B of echo. ON, ON: Lowers both standard A and B.	
8		OFF		